



This Miss Felt Designs pattern is not to be reproduced or resold in any form. The Items you create from this pattern may be sold, personal use or to give as gifts.

Mass production is forbidden.

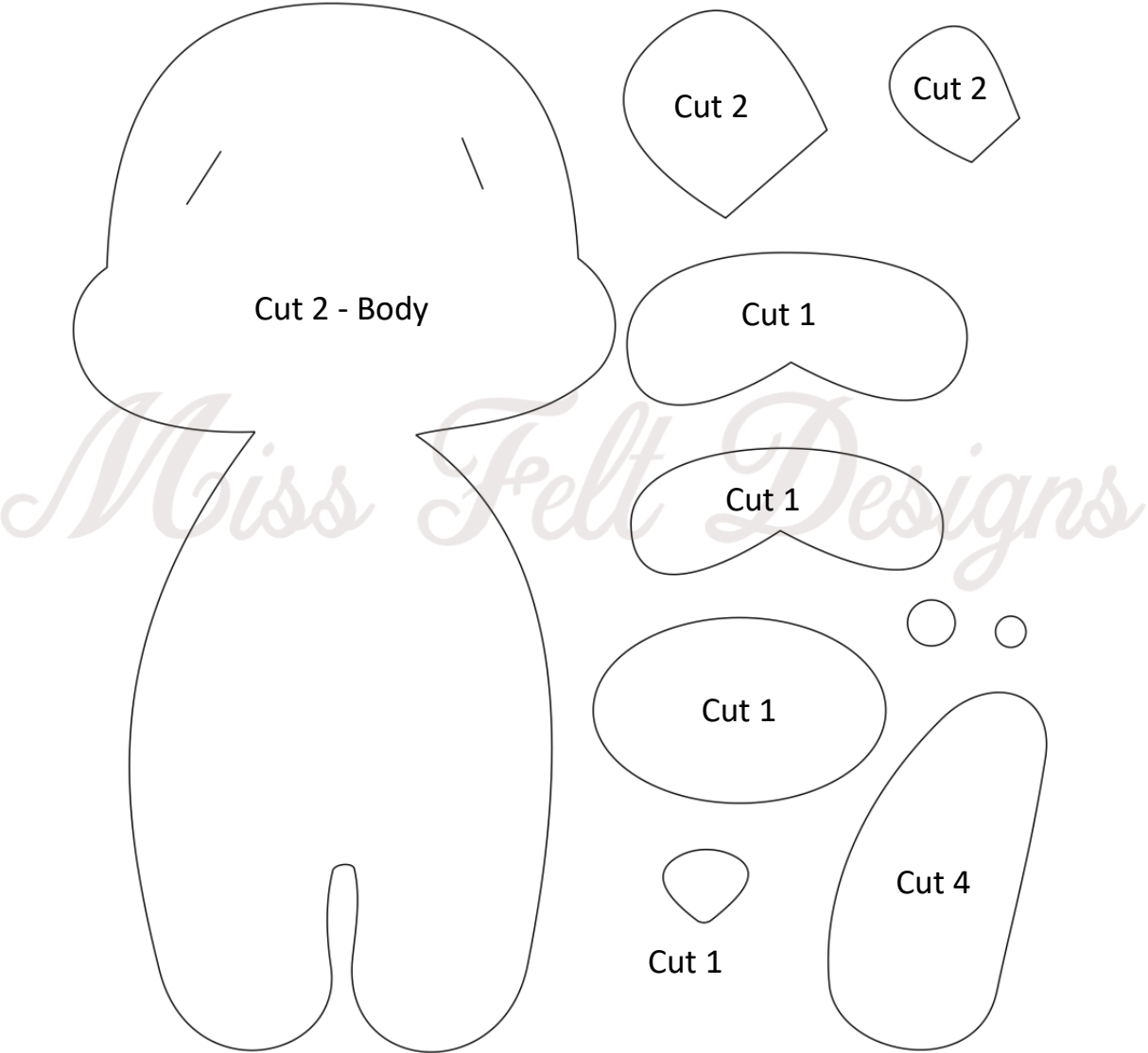
Please credit use of this template with Miss Felt Design ([www.missfeltdesigns.com](http://www.missfeltdesigns.com)).

Commercial licenses will be made available upon request.

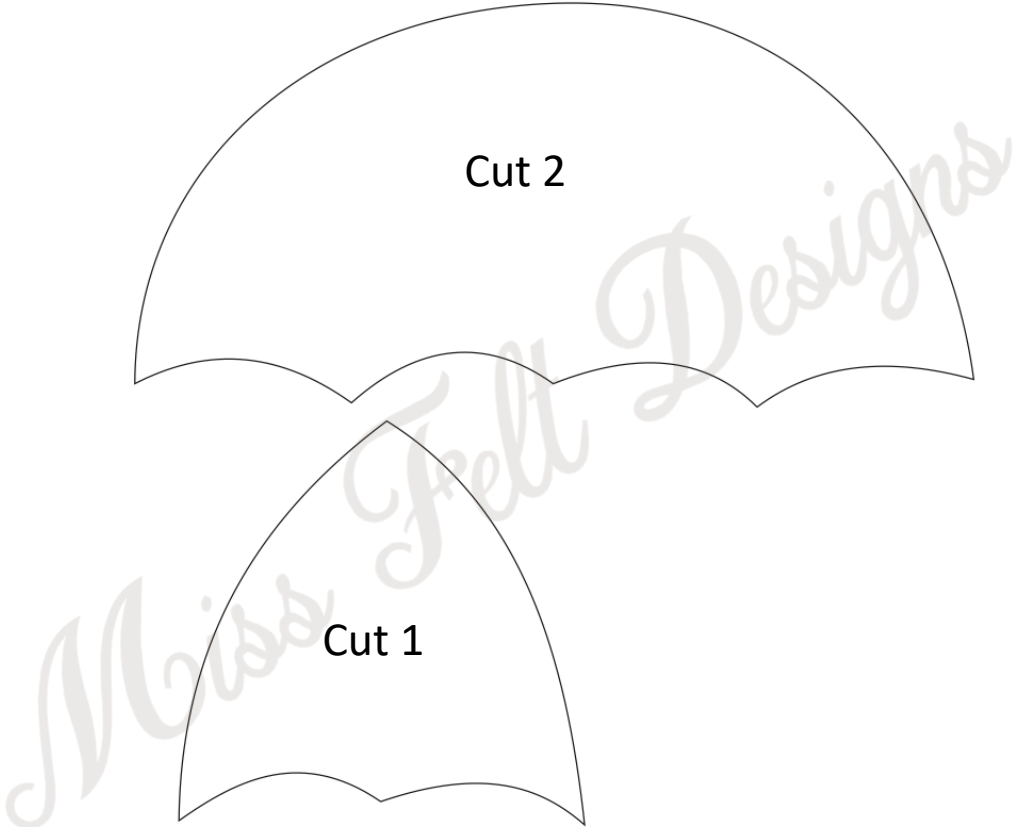
Thank you



# Template



# Template



# Follow Us



@missfeltdesigns



Miss Felt Designs



Miss Felt Designs Channel



@missfeltdesigns

[www.missfeltdesigns.com](http://www.missfeltdesigns.com)

[www.missfeltdesigns.etsy.com](http://www.missfeltdesigns.etsy.com)

Thank you